

User Manual – Proluxe Storage Shelf & Cabi Shelf

Product Use

The Shelves are designed to provide storage areas for items needed during treatments and equipment.

Safety Instructions



CAUTIONS

- Do not use electrical devices that require more than 15 amps total with the *Power Strip*.
- *Anti-Tip Strap* must be installed when using a *Hot Towel Cabi*
- Make sure all cords are safely located out of the way to avoid trip hazards and no cords are pinched when the table is raised or lowered
- Do not overload the **Storage Shelf** (*max load weight is 25 lbs. (11.3 kg)*)
- Open the *Hot Towel Cabi* slowly to prevent hot steam from burning clients when it is located at the same end as the client's head.

Directions for Use

The **Cabi Shelf** holds a *Hot Towel Cabi* w/ dimensions no greater than 17.9" wide x 12.6" deep x 11.4" high. Place the *Hot Towel Cabi* on the **Cabi Shelf** and center it. Wrap the *Anti-Tip Strap* tightly around the *Towel Cabi* and attach to the *Attachment Velcro* as shown. This will stop the *Towel Cabi* from tipping.

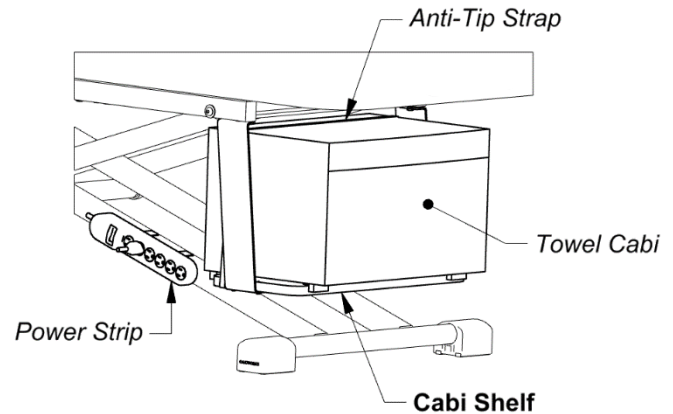
The *Power Strip* will power the *Hot Towel Cabi* and other devices. Make sure all cords are safely located out of the way to avoid trip hazards. Make sure that no cords are pinched when the table is raised or lowered.

The **Storage Shelf** provides storage for items needed during treatments and equipment.



Cabi Shelf

Storage Shelf

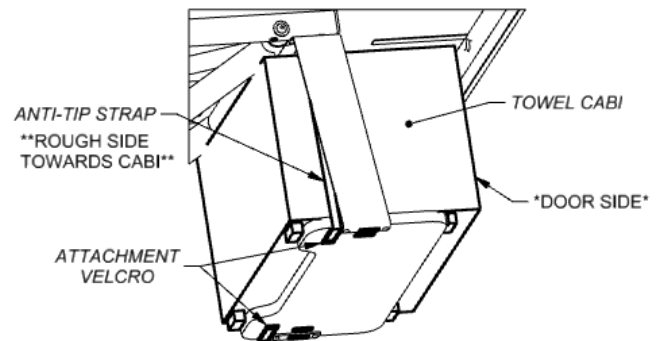


Anti-Tip Strap

Towel Cabi

Power Strip

Cabi Shelf



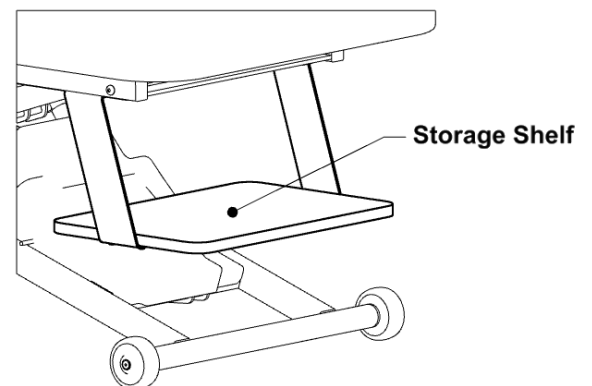
ANTI-TIP STRAP

ROUGH SIDE TOWARDS CABI

TOWEL CABI

ATTACHMENT VELCRO

DOOR SIDE



Storage Shelf

Cleaning & Disinfection

Be sure that the unit is unplugged before cleaning these areas. Reference the Recommended Cleaners and Disinfectant list (MMINML0008-EN) that came with the table or on our website www.shop.spatables.com under product information.

Proluxe Shelf Kit Assembly Part Numbers

Part No.	Product Description
18093-1	Kit - Proluxe Storage Shelf – Flat Top models
18093-2	Kit - Proluxe Storage Shelf – Lift-Assist models
18093-3	Kit - Proluxe Storage Shelf – Electric Salon models
18094-1	Kit - Proluxe Cabi Shelf – Flat Top models
18094-2	Kit - Proluxe Cabi Shelf – Lift-Assist models
18094-3	Kit - Proluxe Cabi Shelf – Electric Salon models
18095-1	Kit - Proluxe Cabi-Storage Shelf Combo – Flat Top models
18095-2	Kit - Proluxe Cabi-Storage Shelf Combo – Lift-Assist models
18095-3	Kit - Proluxe Cabi-Storage Shelf Combo – Electric Salon models

Warranty Information

View complete warranty details at www.oakworks.com

Specifications

Dimensions (X Y Z)	Hot Towel Cabi – 17.9" x 12.6" x 11.4" (45.5cm x 32cm x 29cm) <i>MAX</i> Cabi Shelf – 19.5" x 9" x 11.88" (49.5cm x 23cm x 30.25cm) Storage Shelf – 19.5" x 13" x 8.63" (49.5cm x 33cm x 22cm)
Maximum Shelf Load Weight	25 lbs. (11.3 kg)
Environmental Conditions	Temperature: 50°F (10°C) to 100°F (38°C) Humidity: 20% to 60% RH Atmospheric Pressure: 98 to 105 kPa

Maintenance & Service

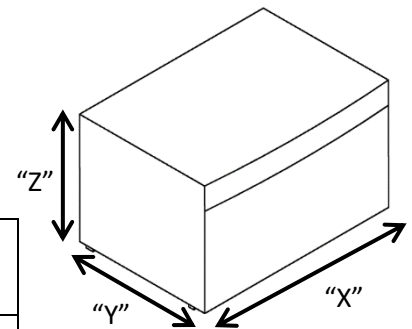
INSPECTION

Check and tighten bolts as needed.

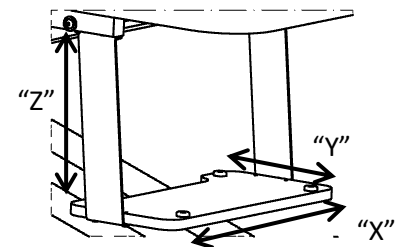
Replacement Part's

Contact Customer Service for any replacement part questions.

HOT TOWEL CABI



CABI SHELF



STORAGE SHELF

