

Bolster Arm Rest Installation Instructions

Parts Included:



8 - Velcro Strips



1 - set of Bolster Arm Rests



1 - set of Bolster Arm Rest Straps

Tools Needed:
(not included)

Pencil
Ruler

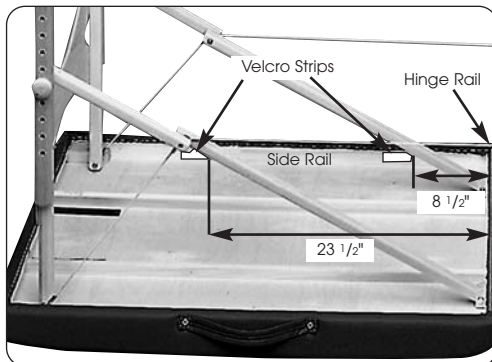


Fig. 1



Fig. 2

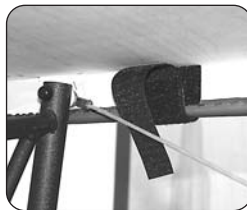


Fig. 3

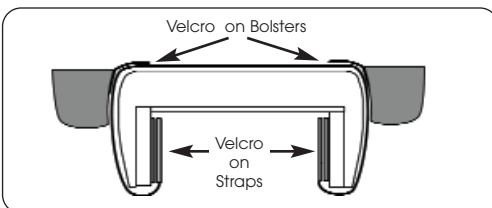


Fig. 4

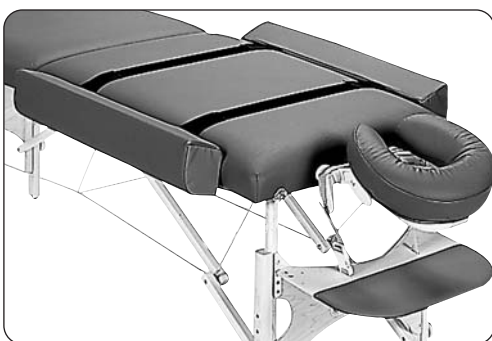


Fig. 4a

Instructions for Installation

(not applicable if ordered with a table):

- Turn table upside down.
- Remove paper backing from velcro strips and place velcro strips carefully on the inside of each side rail at points 8 1/2" and 23 1/2" from the hinge rail, adhesive side down. (Fig. 1) Make sure the velcro is contacting only wood and press into place.

Note: If you install the velcro on the inside of the table frame, you should wait 24 hrs before use.

Set-up Instructions:

- Turn table upright and place the straps across the table. (Fig.2)
- Attach straps to the velcro strips on the inside of the side rail. (Fig 3)
- Attach the Bolster Arm Rests to the table by attaching the velcro tabs on the bolsters to the velcro on the table straps. (Fig 4 & 4a)

Other Uses for Your Bolster Arm Rests:

- Detach your Bolsters from the straps and use them to provide support under knees and ankles.
- Your new Bolster Arm Rests will comfortably cradle your client's arms and effectively widen your table by 6".
- The standard strap is long enough to fit tables 24"-31" wide. Tables that are 33" wide require a special, longer strap. Contact Customer Service for information on this option.

WARNING

Your Bolster Arm Rests are only meant to support client's arms when they are lying supine or prone. They are not meant to support clients getting on or off the table or therapists sitting on the edge of the table.

OAKWORKS®, Inc.

923 East Wellspring Rd., New Freedom, PA 17349

Toll Free Phone: 800-558-8850

www.oakworks.com

Phone: 717-235-6807

FAX: 717-235-6798



Attaching Recess Fillers to Your Advanta Table



Parts Included:



8 - Velcro Strips
(Retro Fit Kit only)



1 - set of Recess
Fillers



1 - set of Recess
Filler Straps

Instructions for Attachment:

1. Center the Recess Filler Straps placing velcro (hook) side down, from left to right on the top of the table, making sure they are parallel to each other. (Fig. 1)
2. Locate the velcro strips adhered to the table frame or attach strips provided in this package. (Fig. 2) Attach one strap to the velcro under the table. Press firmly on straps to securely fasten the velcro. Repeat for the second strap.

Note: If you install the velcro on the inside of the table frame, you should wait 24 hrs before use.

- 3) Each Recess Filler has a 2" wide strip of velcro (hook) sewn onto the flat side. (Fig. 3) Attach the velcro (hook) on the Recess Filler to the velcro (loop) on the Recess Filler Strap attached to the table. (Fig. 4) Repeat for second Recess Filler. (Fig. 5)

CAUTION:

Your Advanta Recess Fillers are only meant to support a client's arms when they are lying supine or prone. They will not support clients getting on or off the table or therapists sitting on the edge of the table.

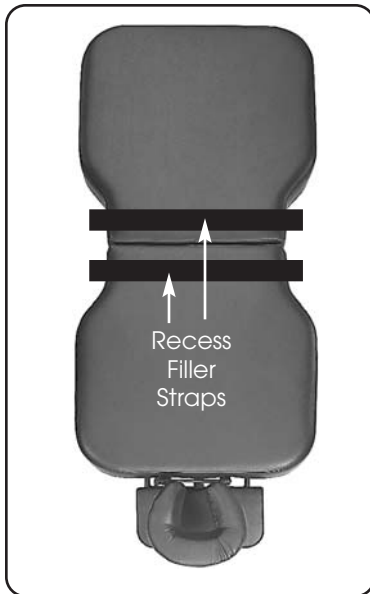


Fig. 1

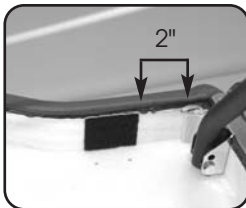


Fig. 2



Fig. 2a

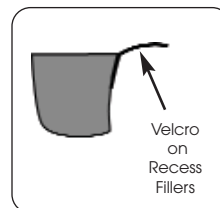


Fig. 3

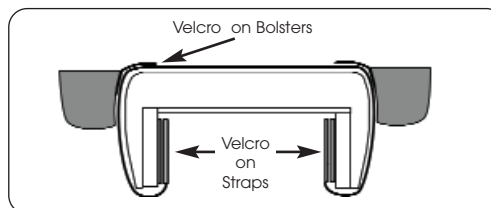


Fig. 4

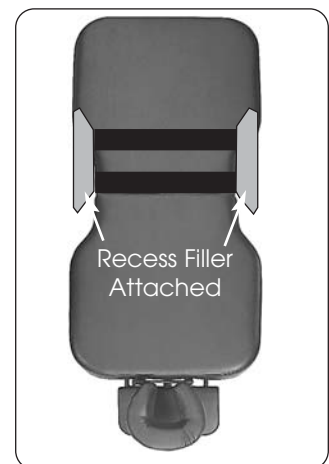


Fig. 5

OAKWORKS®, Inc.

923 East Wellspring Rd., New Freedom, PA 17349

Toll Free Phone: 800-558-8850

www.oakworks.com

Phone: 717-235-6807

FAX: 717-235-6798

