



**923 East Wellspring Road
New Freedom, Pennsylvania 17349
(717) 227-0516**

**Libra Plumbing and Electrical Facility
Installation Instructions**

<u>Doc. #:</u> CSI-0077	<u>Date:</u> 05/13/2013	<u>Page:</u> 2 of 6	<u>Rev.</u> C
----------------------------	----------------------------	------------------------	-------------------------

1. Facility Plumbing (applicable to Libra ordered with plumbing option)

Precautions:

When installed in the United States, the plumbing of this table must meet the requirements of any applicable state or local. Plumbing rough in and final hook up should be performed by a qualified plumber should be approved by a local building/plumbing inspector.

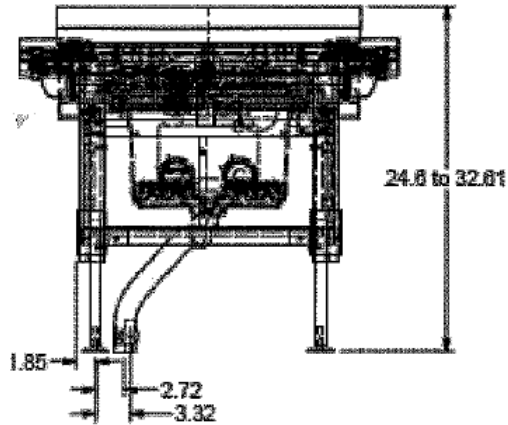
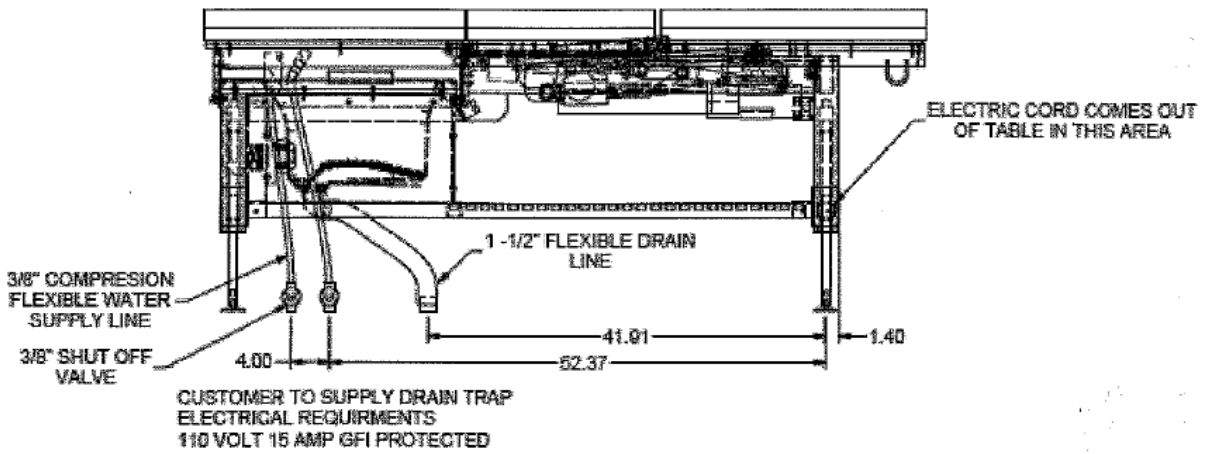
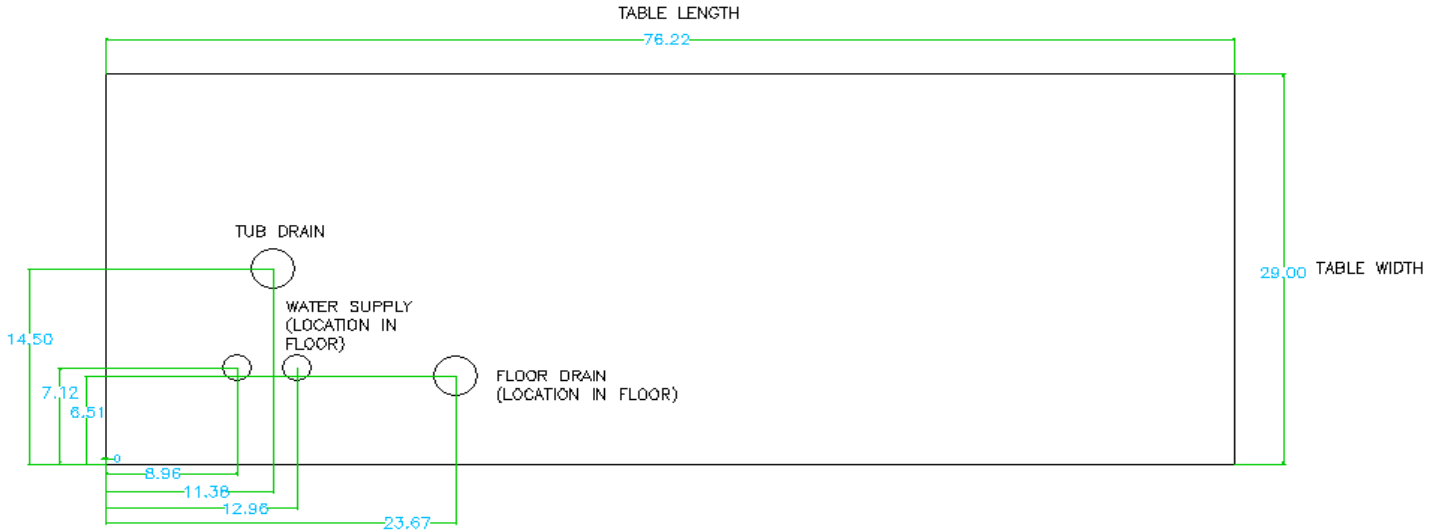
Parts: Two 20" long flexible braided water supply lines with 3/8" male end to interface with the Pedi spa faucet. Two shut off valves connected to facility hot and cold water supply. 1.5" PVC adapters and flexible drain line for connection of tub drain to facility DWV system.

The customer's facility is to be equipped with the following:

- An existing below floor plumbing trap and flexible drain line connection to the Libra Table located on floor as detailed by illustration shown in these instructions.
- Hot and Cold water supply with braided flexible supply lines that will interface to a 3/8" female compression fitting supplied on the Libra Table.

Procedure:

- a. The print below shows the details of where the plumbing rough-in locations under table are required to be positioned for proper installation.



<u>Doc. #:</u> CSI-0077	<u>Date:</u> 05/13/2013	<u>Page:</u> 4 of 6	<u>Rev.</u> C
----------------------------	----------------------------	------------------------	-------------------------

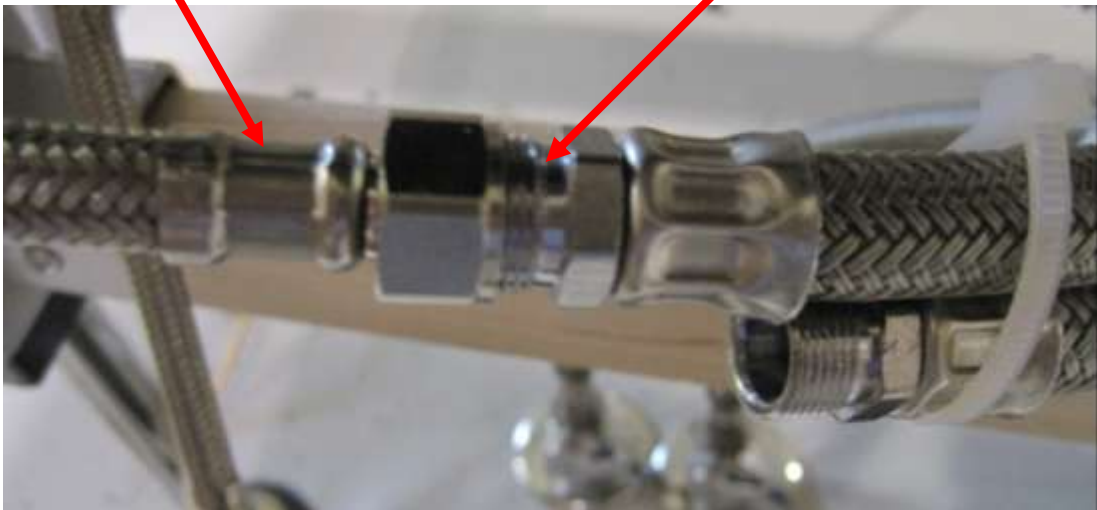
- b. Customer to provide flexible 3/8" braided water supply lines of at least 20" in length for interfacing to facilities hot and cold water supply located on the floor beneath the table as shown in print above.

- c. The Libra comes equipped with a faucet that has flexible 3/8" compression lines with female ends. The customer supplied flexible line will need to have a male 3/8" compression to be connected to the faucet supply line.

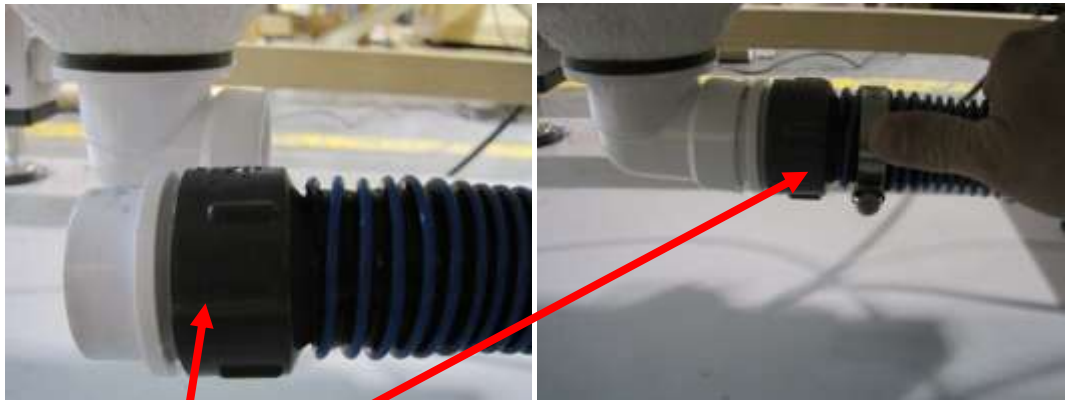
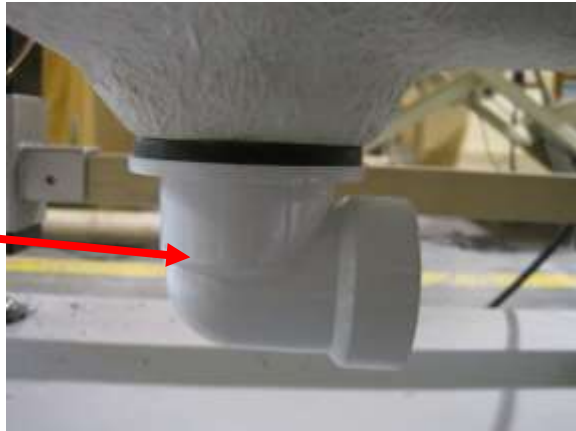
Libra - Female 3/8" compression



Customer supplied Flexible line with Male 3/8" compression fitting



The Libra comes equipped with a 1.5" PVC fitting at the drain location for installer to connect to.



Flexible 1.5" drain line supplied by customer and interfaced between the Libra drain and the customer's facility drain in floor.



2. Facility Electrical

Precautions:

When installed in the United States, the electrical wiring of this table must meet the requirements of the National Electric Code (NEC) and any applicable state or local codes.

- a. The electrical circuit providing 115V/15A power (230v overseas) to this table **must be protected by GFCI (ground fault interrupter circuit) installed by a qualified electrician.** Installation should be approved by a local building/electrical/plumbing inspector.

NOTE: A floor outlet must be controlled via circuit breaker with GFCI protection from a wall mounted Sub or Main electrical panel. The use of a GFCI outlet in the floor will not provide adequate protection against electrical shock when water is present.

- b. If the floor will be the location used to supply electrical service to the table:
 - i. The outlet box must not be recessed within the floor. Overflowing/ spilled water could collect within the electrical enclosure if installed in this manner.
 - ii. A water tight box suitable for wet location should be used and installed above floor surface.

The customer's facility is to be equipped with the following:

- An electrical circuit protected by a GFCI circuit breaker as required by State and local codes
 - a. The table is equipped with a 3ft power cord which may be plugged into either a wall outlet or floor GFCI. If located on the floor the following location is recommended.

